

D40S-9, D45SC-9

Mast type	Maximum Fork Height	Maximum Lowered Height	Fully Extended Height	Free Lift	Rated Load Capacities							
					D40S-9, D45SC-9							
					Tilt Angle				Load Capacities			
					Single Pneumatics		Double Pneumatics		Single Pneumatics		Double Pneumatics	
					FWD	BWD	FWD	BWD	LC 500mm	LC 600mm	LC 500mm	LC 600mm
mm	mm	mm	mm	deg	deg	deg	deg	kg	kg	kg	kg	
STD	3,000	2,235	4,260	155	8	10	8	10	4,500	4,000	4,500	4,000
	3,300	2,385	4,560	155	8	10	8	10	4,500	4,000	4,500	4,000
	3,650	2,560	4,910	155	8	10	8	10	4,500	4,000	4,500	4,000
	4,000	2,885	5,260	155	8	10	8	10	4,500	4,000	4,500	4,000
	4,250	3,010	5,510	155	8	10	8	10	4,500	4,000	4,500	4,000
	4,850	3,460	6,110	155	8	8	8	8	4,000	4,000	4,400	4,000
	5,250	3,660	6,510	155	8	5	8	8	3,700	3,885	4,250	3,885
FF	3,000	2,215	4,235	1,015	8	10	8	10	4,500	4,000	4,500	4,000
FFT	4,000	2,095	5,260	895	8	8	8	8	4,500	4,000	4,500	4,000
	4,250	2,185	5,525	985	8	8	8	8	4,500	4,000	4,500	4,000
	4,500	2,270	5,780	1,070	8	8	8	8	4,350	4,000	4,550	4,000
	4,700	2,335	5,975	1,135	8	8	8	8	4,300	4,000	4,450	4,000
	5,150	2,485	6,425	1,285	8	5	8	8	4,200	4,000	4,300	4,000
	5,600	2,635	6,875	1,435	8	3	8	5	3,700	3,750	4,150	3,750
	6,050	2,785	7,325	1,585	8	3	8	3	2,900	3,000	3,500	3,500
	6,500	2,935	7,775	1,735	8	3	8	3	2,250	2,300	3,850	2,800
	7,000	3,115	8,275	1,915	8	3	8	3	1,650	1,800	3,700	2,300

D50C-7, D55SC-7

Mast type	Maximum Fork Height	Maximum Lowered Height	Fully Extended Height	Free Lift	Rated Load Capacities							
					D50C-7, D55SC-7							
					Tilt Angle				Load Capacities			
					Single Pneumatics		Double Pneumatics		Single Pneumatics		Double Pneumatics	
					FWD	BWD	FWD	BWD	LC 500mm	LC 600mm	LC 500mm	LC 600mm
mm	mm	mm	mm	deg	deg	deg	deg	kg	kg	kg	kg	
STD	2,750	2,220	4,160	165	8	10	8	10	5,500	5,000	5,500	5,000
	3,050	2,370	4,460	165	8	10	8	10	5,500	5,000	5,500	5,000
	3,400	2,545	4,810	165	8	10	8	10	5,500	5,000	5,500	5,000
	3,750	2,870	5,160	165	8	10	8	10	5,500	5,000	5,500	5,000
	4,000	2,995	5,410	165	8	10	8	10	5,350	5,000	5,500	5,000
	4,600	3,445	6,010	165	8	10	8	10	5,050	5,000	5,200	4,700
	5,000	3,645	6,410	165	8	8	8	10	4,400	4,500	5,000	4,500
	5,500	3,895	6,910	165	8	8	8	8	3,250	3,300	4,800	3,500
	5,800	4,045	7,210	165	8	8	8	8	2,650	2,600	4,700	2,800
	FF	2,875	2,200	4,260	860	8	10	8	10	5,500	5,000	5,500
FFT	3,575	1,985	4,990	645	8	8	8	8	5,500	5,000	5,500	5,000
	3,875	2,080	5,285	740	8	8	8	8	5,500	5,000	5,500	5,000
	4,125	2,170	5,550	830	8	8	8	8	5,500	5,000	5,500	5,000
	4,575	2,320	6,000	980	8	8	8	8	5,300	5,000	5,450	5,000
	5,025	2,470	6,450	1,130	8	5	8	8	4,900	4,700	5,250	4,700
	5,325	2,570	6,750	1,230	8	3	8	5	4,550	4,500	5,100	4,500
	5,475	2,620	6,900	1,280	8	3	8	5	4,300	3,500	5,000	3,800
	5,925	2,770	7,350	1,430	8	3	8	5	3,500	3,400	4,900	3,600

D45S-9, D50SC-9

Mast type	Maximum Fork Height	Maximum Lowered Height	Fully Extended Height	Free Lift	Rated Load Capacities							
					D45S-9, D50SC-9							
					Tilt Angle				Load Capacities			
					Single Pneumatics		Double Pneumatics		Single Pneumatics		Double Pneumatics	
					FWD	BWD	FWD	BWD	LC 500mm	LC 600mm	LC 500mm	LC 600mm
mm	mm	mm	mm	deg	deg	deg	deg	kg	kg	kg	kg	
STD	3,000	2,220	4,410	155	8	10	8	10	5,000	4,500	5,000	4,500
	3,300	2,370	4,710	155	8	10	8	10	5,000	4,500	5,000	4,500
	3,450	2,445	4,860	155	8	10	8	10	5,000	4,500	5,000	4,500
	3,650	2,545	5,060	155	8	10	8	10	5,000	4,500	5,000	4,500
	4,000	2,870	5,410	155	8	10	8	10	4,950	4,500	5,000	4,500
	4,250	2,995	5,660	155	8	10	8	10	4,850	4,500	5,000	4,500
	4,850	3,455	6,260	155	8	10	8	10	4,400	4,275	4,700	4,500
5,500	3,770	6,910	155	8	5	8	8	3,950	4,000	4,450	4,275	
FF	3,000	2,200	4,385	850	8	10	8	10	5,000	4,500	5,000	4,500
FFT	3,700	1,985	5,115	635	8	8	8	8	5,000	4,500	5,000	4,500
	4,000	2,080	5,410	730	8	8	8	8	5,000	4,500	5,000	4,500
	4,250	2,170	5,675	820	8	8	8	8	4,900	4,500	5,000	4,500
	4,500	2,255	5,930	905	8	8	8	8	4,800	4,500	4,950	4,500
	4,700	2,320	6,125	970	8	8	8	8	4,700	4,500	4,850	4,500
	5,150	2,470	6,575	1,120	8	5	8	8	4,550	4,300	4,700	4,350
	5,600	2,620	7,025	1,270	8	3	8	5	4,400	4,150	4,550	4,200
	6,050	2,770	7,475	1,420	8	3	8	3	3,400	3,300	4,350	3,700
	6,500	2,920	7,925	1,570	8	3	8	3	2,700	2,850	4,200	3,000

Note : Mast Specifications & Rated Capacities are based on standard chassis with pneumatic tire and without side shifter.

D55C-7

Mast type	Maximum Fork Height	Maximum Lowered Height	Fully Extended Height	Free Lift	Rated Load Capacities							
					D55C-7							
					Tilt Angle				Load Capacities			
					Single Pneumatics		Double Pneumatics		Single Pneumatics		Double Pneumatics	
					FWD	BWD	FWD	BWD	LC 600mm	LC 600mm	LC 600mm	LC 600mm
mm	mm	mm	mm	deg	deg	deg	deg	kg	kg			
STD	2,750	2,220	4,160	165	8	10	8	10	5,500	5,500		
	3,050	2,370	4,460	165	8	10	8	10	5,500	5,500		
	3,400	2,545	4,810	165	8	10	8	10	5,500	5,500		
	3,750	2,870	5,160	165	8	10	8	10	5,500	5,500		
	4,000	2,995	5,410	165	8	10	8	10	5,500	5,500		
	4,600	3,445	6,010	165	8	8	8	8	5,500	5,500		
	5,000	3,645	6,410	165	8	5	8	5	5,000	5,200		
	5,500	3,895	6,910	165	8	3	8	5	4,250	4,500		
	5,800	4,045	7,210	165	8	3	8	5	3,600	3,700		
	FF	2,875	2,200	4,260	860	8	10	8	10	5,500	5,500	
FFT	3,575	1,985	4,990	645	8	8	8	8	5,500	5,500		
	3,875	2,080	5,285	740	8	8	8	8	5,500	5,500		
	4,125	2,170	5,550	830	8	8	8	8	5,500	5,500		
	4,575	2,320	6,000	980	8	8	8	8	5,500	5,500		
	5,025	2,470	6,450	1,130	8	3	8	5	5,200	5,200		
	5,325	2,570	6,750	1,230	8	3	8	3	4,500	4,600		
	5,475	2,620	6,900	1,280	8	3	8	3	4,300	4,500		
	5,925	2,770	7,350	1,430	8	3	8	3	3,300	3,500		

Note : Mast Specifications & Rated Capacities are based on standard chassis with pneumatic tire and without side shifter.



D35S-9 / D40S-9 / D45S-9 / D50C-9 / D55C-9
D40SC-9 / D45SC-9 / D50SC-9 / D55SC-9

9-SERIES FORKLIFTS

Pneumatic Diesel 3.5 to 5.5 ton capacity
Euro Stage V



DOOSAN
Doosan Industrial Vehicles UK Limited
12 Kilvey Road
Brackmills Industrial Estate
Northampton
NN4 7BQ
Tel.: 01604 825 600
Website: www.doosanflt.com

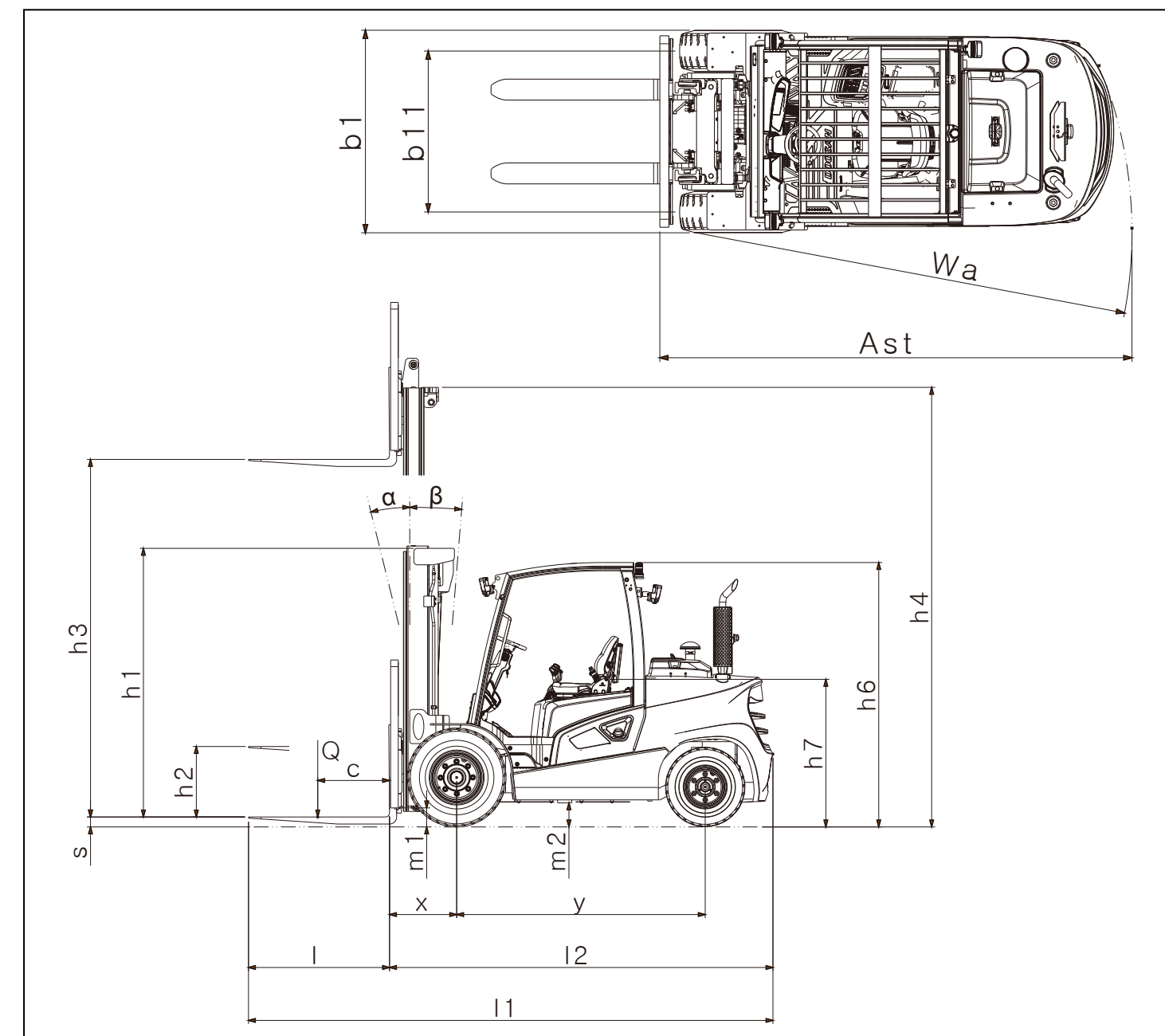
EUD45S9-200730ENv1 (July 2020)
Authorized Dealer

GENERAL SPECIFICATIONS

Characteristics	1.1	Manufacturer			Doosan	Doosan	Doosan
	1.2	Model			D35S-9	D40S-9	D45S-9
	1.3	Drive			Diesel	Diesel	Diesel
	1.4	Operator type			Seated	Seated	Seated
	1.5	Load Capacity	Q	kg	3,500	4,000	4,500
	1.6	Load Center	c	mm	600	600	600
	1.8	Load Distance: Center of Driveaxle to fork	x	mm	560	560	560
	1.9	Wheelbase	y	mm	2,015	2,015	2,115
	Weight	2.1	Service weight		kg	5,795	6,100
2.2		Axle Loading, Loaded Front/Rear		kg	8,390/905	9,115/985	9,960/1,070
2.3		Axle Loading, Unloaded Front/Rear		kg	2,255/3,540	2,425/3,675	2,630/3,900
Tyres	3.1	Tyres: pneumatic (P), cushion (C)		-	P	P	P
	3.2	Tyre size, Front		-	8.25X15-14PR/ 7.50X16-12PR	300X15-18PR/ 7.50X16-12PR	300X15-18PR/ 7.50X16-12PR
	3.3	Tyre size, Rear		-	7.00X12-12PR	7.00X12-12PR	7.00X12-12PR
	3.5	Wheels, number Front/Rear (x = driven wheels)		-	2X/2	2X/2	2X/2
	3.6	Tread, Front	b11	mm	1,140 / 1,290	1,155 / 1,290	1,155 / 1,290
	3.7	Tread, Rear	b12	mm	1,115	1,115	1,115
Dimensions	4.1	Tilt of Mast/Fork carriage Forward/Backward	α/β	°	8/10	8/10	8/10
	4.2	Height, Mast lowered	h1	mm	2,225	2,230	2,230
	4.3	Free Lift	h2	mm	160	160	160
	4.4	Maximum fork height	h3	mm	3,000	3,000	3,000
	4.5	Height, Mast Extended	h4	mm	4,265	4,270	4,420
	4.7	Height of Overhead Guard	h6	mm	2,225	2,230	2,230
	4.8	Height of Seat	h7	mm	1,220	1,225	1,225
	4.19	Overall Length	l1	mm	4,160	4,200	4,480
	4.20	Length to Forkface	l2	mm	2,995	3,000	3,260
	4.21	Overall Width	b1	mm	1,370	1,455	1,455
	4.22	Fork Dimensions		mm	50X150X1,050	50X150X1,050	50X150X1,200
	4.23	Fork carriage ISO 2328, class/type A,B		-	III	III	IV
	4.24	Fork carriage width	m1	mm	1,250	1,250	1,330
	4.31	Ground Clearance, loaded, below mast	m1	mm	150	160	160
	4.32	Ground Clearance, center of wheelbase	m2	mm	205	205	205
	Performance data	4.34.1	Aisle width for pallets 1,000 x 1,200 crossways	Ast	mm	4,515	4,560
4.34.2		Aisle width for pallets 800 x 1,200 crossways	Ast	mm	4,715	4,760	4,810
4.35		External Turning Radius	Wa	mm	2,755	2,800	2,850
4.36		Internal Turning Radius	b13	mm	2,670	2,725	2,775
5.1		Travel Speed, Loaded/unloaded		km/h	24.0/26.0	24.0/26.0	24.0/26.0
5.2		Lift Speed, Loaded/unloaded		mm/s	0.56/0.60	0.55/0.60	0.54/0.60
5.3		Lowering Speed, Loaded/unloaded		mm/s	0.45/0.50	0.45/0.50	0.45/0.50
5.4		Drawbar pull, Loaded (@ 1.6km/h)		N	34,075	33,540	33,564
Combustion Engine	5.5	Max. Drawbar pull, Loaded		N	37,498	36,894	36,970
	5.7	Gradeability, Loaded (@ 1.6km/h)		%	38.5	34.5	31.5
	5.8	Max. Gradeability, Loaded		%	43	38.5	35
	5.10	Service Brake		-	Foot/Hyd	Foot/Hyd	Foot/Hyd
	7.1	Engine Manufacturer/type		-	DI	DI	DI
	7.2	Engine power according to DIN ISO1585		kW	55.4	55.4	55.4
	7.3	Rated Speed		min-1	2,200	2,200	2,200
	7.3.1	Torque at 1/min		N•m	360 @ 1,400	360 @ 1,400	360 @ 1,400
Add. Data	7.4	Number of Cylinders/Displacement	cc	-/cm ³	4/3,409	4/3,409	4/3,409
	7.5	Fuel consumption according to VDI cycle		l/h	5.2	5.2	5.2
	7.10	Battery Voltage/normal capacity		V/Ah	12/100	12/100	12/100
	10.1	Operating pressure for attachments		bar	160	160	160
	10.2	Oil volume for attachments		l/min	110	110	110
	10.4	Fuel Tank Capacity		l	105	105	119
	10.7	Sound level at th driver's ear according to EN 12 053		dB(A)	79	79	79

Doosan	Doosan	Doosan	Doosan	Doosan	Doosan
D50C-9	D55C-9	D40SC-9	D45SC-9	D50SC-9	D55SC-9
Diesel	Diesel	Diesel	Diesel	Diesel	Diesel
Seated	Seated	Seated	Seated	Seated	Seated
5,000	5,500	4,000	4,500	5,000	5,500
600	600	500	500	500	500
570	570	560	560	560	570
2,115	2,115	2,015	2,015	2,115	2,115
6,930	7,300	5,795	6,100	6,530	6,930
10,770/1,160	11,565/1,235	8,390/905	9,115/985	9,960/1,070	10,770/1,160
2,655/4,275	2,705/4,595	2,255/3,540	2,425/3,675	2,630/3,900	2,655/4,275
P	P	P	P	P	P
300X15-18PR/ 7.50X16-12PR	300X15-18PR/ 7.50X16-12PR	8.25X15-14PR/ 7.50X16-12PR	300X15-18PR/ 7.50X16-12PR	300X15-18PR/ 7.50X16-12PR	300X15-18PR/ 7.50X16-12PR
7.00X12-12PR	7.00X12-14PR	7.00X12-12PR	7.00X12-12PR	7.00X12-12PR	7.00X12-14PR
2X/2	2X/2	2X/2	2X/2	2X/2	2X/2
1,155 / 1,290	1,155 / 1,290	1,140 / 1,290	1,155 / 1,290	1,155 / 1,290	1,155 / 1,290
1,115	1,115	1,115	1,115	1,115	1,115
8/10	8/10	8/10	8/10	8/10	8/10
2,230	2,230	2,225	2,230	2,230	2,230
170	170	160	160	160	170
3,050	3,050	3,000	3,000	3,000	3,050
4,470	4,470	4,265	4,270	4,420	4,470
2,230	2,230	2,225	2,230	2,230	2,230
1,225	1,225	1,220	1,225	1,225	1,225
4,530	4,560	4,160	4,200	4,480	4,530
3,300	3,340	2,995	3,000	3,260	3,300
1,455	1,455	1,370	1,455	1,455	1,455
50X150X1,200	50X150X1,200	50X150X1,050	50X150X1,050	50X150X1,200	50X150X1,200
IV	IV	III	III	IV	IV
1,330	1,330	1,250	1,250	1,330	1,330
160	160	150	160	160	160
205	205	205	205	205	205
4,640	4,670	4,515	4,560	4,610	4,640
4,840	4,870	4,715	4,760	4,810	4,840
2,870	2,900	2,755	2,800	2,850	2,870
2,845	2,885	2,670	2,725	2,775	2,845
24.0/26.0	24.0/26.0	24.0/26.0	24.0/26.0	24.0/26.0	24.0/26.0
0.53/0.60	0.52/0.60	0.56/0.60	0.55/0.60	0.54/0.60	0.53/0.60
0.45/0.50	0.45/0.50	0.45/0.50	0.45/0.50	0.45/0.50	0.45/0.50
33,390	33,170	34,075	33,540	33,564	33,390
36,816	36,595	37,498	36,894	36,970	36,816
28.5	26	38.5	34.5	31.5	28.5
31.5	29	43	38.5	35	31.5
Foot/Hyd	Foot/Hyd	Foot/Hyd	Foot/Hyd	Foot/Hyd	Foot/Hyd
DI	DI	DI	DI	DI	DI
55.4	55.4	55.4	55.4	55.4	55.4
2,200	2,200	2,200	2,200	2,200	2,200
360 @ 1,400	360 @ 1,400	360 @ 1,400	360 @ 1,400	360 @ 1,400	360 @ 1,400
4/3,409	4/3,409	4/3,409	4/3,409	4/3,409	4/3,409
5.2	5.2	5.2	5.2	5.2	5.2
12/100	12/100	12/100	12/100	12/100	12/100
160	160	160	160	160	160
110	110	110	110	110	110
119	119	105	105	119	119
79	79	79	79	79	79

DIMENSIONAL DRAWING



MAST SPECIFICATIONS and RATED CAPACITIES

D35S-9, D40SC-9

Mast type	Maximum Fork Height	Maximum Lowered Height	Fully Extended Height	Free Lift	Rated Load Capacities							
					D35S-9, D40SC-9							
					Tilt Angle				Load Capacities			
					With Load Backrest		Without Load Backrest		Single Pneumatics		Double Pneumatics	
FWD	BWD	FWD	BWD	LC 500mm	LC600mm	LC500mm	LC600mm	kg	kg	kg	kg	
STD	3,000	2,235	4,260	155	8	10	8	10	4,000	3,500	4,000	3,500
	3,300	2,385	4,560	155	8	10	8	10	4,000	3,500	4,000	3,500
	3,650	2,560	4,910	155	8	10	8	10	4,000	3,500	4,000	3,500
	4,000	2,885	5,260	155	8	10	8	10	4,000	3,500	4,000	3,500
	4,250	3,010	5,510	155	8	10	8	10	4,000	3,500	4,000	3,500
	4,850	3,460	6,110	155	8	10	8	10	3,650	3,500	3,750	3,500
FF	5,250	3,660	6,510	155	8	8	8	10	3,200	3,200	3,600	3,400
	3,000	2,215	4,235	1,015	8	10	8	10	4,000	3,500	4,000	3,500
FFT	4,000	2,095	5,260	895	8	8	8	8	4,000	3,500	4,000	3,500
	4,250	2,185	5,525	985	8	8	8	8	4,000	3,500	4,000	3,500
	4,500	2,270	5,780	1,070	8	8	8	8	3,900	3,500	4,000	3,500
	4,700	2,335	5,975	1,135	8	8	8	8	3,850	3,500	4,000	3,500
	5,150	2,485	6,425	1,285	8	5	8	5	3,700	3,400	3,850	3,400
	5,600	2,635	6,875	1,435	8	3	8	3	3,600	3,300	3,700	3,300
	6,050	2,785	7,325	1,585	8	3	8	3	3,000	3,000	3,550	3,100
	6,500	2,935	7,775	1,735	8	3	8	3	2,500	2,500	3,450	3,000
7,000	3,115	8,275	1,915	8	3	8	3	1,750	2,000	3,300	2,500	

Note : Mast Specifications & Rated Capacities are based on standard chassis with pneumatic tire and without side shifter.